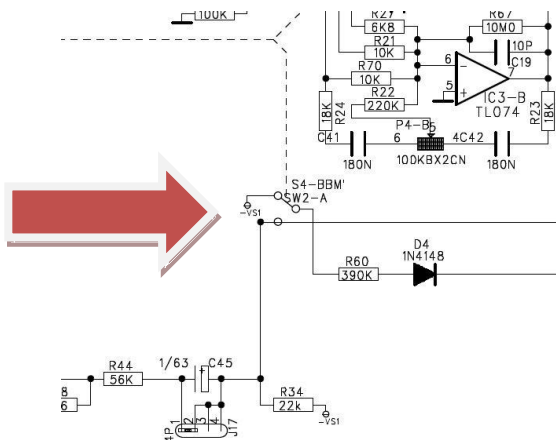


Field modification: **Airmate-USB "Self op in Line mode".**

The default factory design is that the monitor speakers will be muted when a Mic is used in the same room as the monitor speakers. In case a mic processor is not used in the insert of the microphone but connected to the LINE input of the AIRMATE-USB, the monitor speakers will not be muted anymore so a modification has to be performed.



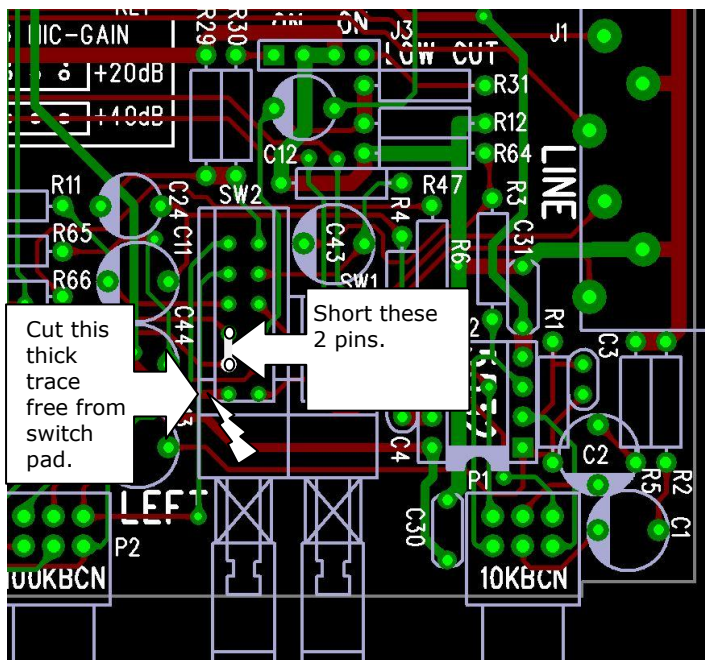
On the left you see section-4 of the Mic/line switch of the AIRMATE-USB mic line channel pcb. When the Mic is selected this SW2-A switch section will go down and a signal is sent to the master when the fader goes up in combination with the ON switch. This behavior you also want when the console is not in its MIC mode.

It means the following modification:

1. Short the left side of R60 to the left side of R34 (same as shorting 2 pins of the switch) and remove the power -VS1 from this switch section (one of 4).

How can you do this?

You have to take the whole pcb out of the console. Take off all knobs and nuts of all potentiometers, remove the bottom plate (frame) remove the flat cables from the PCB and also the fader connector. Remove also all bolts that hold the connectors of that channel on the back panel. Now take out the channel pcb and put it in front of you, so it looks like the picture on the left.



The text blocks tell you what to do. The most left down positioned pin of switch SW2 needs to be cut free from the -VS1 power. You do this by cutting the trace that comes from the left to the switch pad.

Then you need to shorten the 2 pins above this one on the left row where the pointer points to.

NOTE: this is a TOP view (component side) of the PCB, you need to work on the backside!

That is all and now you can rebuilt the console again and test it.

Good luck!

MEMO
Research & Development



D&R Electronica B.V.
Rijnkade 15B
1382GS Weesp, The
Netherlands
Phone: +31 (0)294 418 014
Fax: +31 (0)294 416 987
Website: <http://www.d-r.nl>

Field modification: **Airmate-USB "Self op in Line mode"**.
